



*Recalculat
update 11/85*

COLT 14 ASSEMBLY, OPERATION & MAINTENANCE INSTRUCTIONS
Wet & Dry Vacuum **READ THOROUGHLY**

THE SAFETY PROCEDURES FOR GROUNDING, SERVICE, AND OPERATION MUST BE FOLLOWED TO PREVENT DAMAGE TO MACHINE AND PROPERTY AND INJURY TO OPERATOR OR BY-STANDERS.

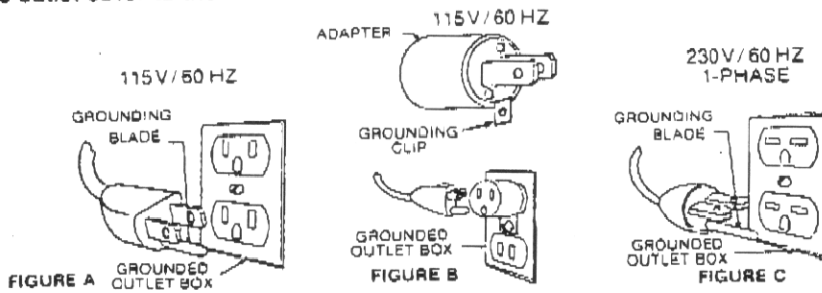
GROUNDING INSTRUCTIONS must be followed to avoid damage to machine and prevent injury to operator. Read instructions and look at illustration carefully!

Make sure the machine is plugged into an electrical outlet with the same voltage as-is shown on the nameplate of the machine. Do not attempt to plug a 115 volt machine into a 230 volt outlet or a 230 volt machine into a 115 volt outlet.

The grounding blade on the plug must remain intact if the machine is to be properly grounded when plugged in and operated. An ungrounded machine can cause shock to the operator. If connecting to an outlet that accepts only two blades use an adapter as in Figure B. **NEVER REMOVE THE GROUNDING BLADE.** In this case, the machine is only properly grounded if the adapter's green-color clip is tied under the screw that holds the outlet cover to the wall.

A 115 volt unit has a plug as shown in Figure A. A 230 volt single phase unit has a plug as shown in Figure C. No adapter is available for 230 volt plug.

REPLACE CORDS WHEN FRAYED OR CUT. Replace cord when grounding blade on plug is broken, or replace plug. If replacing plug, be sure that the green wire of the cord is connected to the green screw of the plug, the white wire is connected to the silver screw, and the black wire is connected to the gold screw of the plug.



NOTE: Adapter NOT For Use In Canada

CAUTION: Failure to observe can cause damage to machine!

1. Always store machine inside. Protect from rain or snow.
2. Never spray top of machine with water or other liquids.
3. Always remove hose and coupling from machine when not in use or hose may become damaged.
4. Never bounce machine down stair steps when container is full of water or material, or damage may result to base assembly.

SAFETY

1. NEVER operate the machine if the grounding blade is not connected to the plug.
2. NEVER operate the machine if the grounding blade is broken or damaged.
3. WHEN operating machine from the 3 to 2 adapter plug as shown in Figure B, make sure that green grounding clip of the adapter is tied under the screw that holds the outlet cover to the wall.

Is properly grounded which extension cords are used, the length should be no less than 16-3.

operator!

Connect the green grounding wire to the green screw on the plug before replacing the plug.

If the green grounding wire (green) is not connected to a live terminal at the switch or the plug, machine will become electrically charged and will result in electric shock or electrocution.

Post-it® Fax Note	7671	Date	# of pages
To	<i>Beel</i>	From	
Co./Dept.		Co.	
Phone #		Phone #	
Fax #	<i>608 268-7138</i>	Fax #	

WARNING: FAILURE TO OBSERVE RECOMMENDED MAINTENANCE OF CORD AND PLUG, PROPER GROUNDING, PROPER REPLACEMENT OF CORDS AND PLUGS, USE OF PROPER EXTENSION CORDS AS INSTRUCTED, CAN RESULT IN SHOCK TO OPERATOR AND POSSIBLE ELECTROCUTION PARTICULARLY WHEN USING FOR WET RECOVERY!

IMPORTANT: SEE ASSEMBLY, OPERATION AND MAINTENANCE INSTRUCTIONS ON BACKSIDE.

***Repairs and Maintenance Warnings**

When any motor service is required, maintenance should only be done by an authorized service station, or by an electrical repair organization, or individuals who are qualified. See back page — Maintenance Section.

COLT 14 ASSEMBLY, OPERATION AND MAINTENANCE

I ASSEMBLY

1. Your NSS Model Colt-14 is assembled for operation.

A—Hose-25 prefix

The hose is attached to the intake on the container by means of the metal hose coupling 25-080-6. Push plunger pin, item 43, to insert and detach.

B—Tube Handle-22 prefix

For dry pick up the 22-010-9 fiber tube handle is the lightest and easiest to use. It will withstand abrasive wear better than steel or aluminum. For both wet and dry pickup the aluminum handles 22-040-9, regular length and 22-030-9 for close quarter operation are preferable. The 22-020-9 plated steel is used for either wet or dry pickup and is recommended for industrial applications.

The 22-121-1, 5" connector is used to connect the brush and upholstery tools to the hose for hand work.

For overhead cleaning the brush tools are used on the 22-110-9 Hi-Up tubes for removing dust from tops of door and window frames, walls, ledges, etc.

To use the swivel 22-141-2 with the brush and upholstery tools, use the 22-121-1 5" connector or the Hi-Up tubes to connect one end. The other end inserts directly into the end of the tools.

C—Attachments-30 prefix

The swiveled floor tools slip on the tube handles and are locked by means of the brass locking collar to the brass lock of the tube handle.

Crevice tools fit directly into end of hose without use of 22-121-1 connector.

II OPERATION

1. After machine is assembled, plug the conductor cord into electric outlet, making sure current is same as that which machine is designed to run on. Turn on switch located on side of top dome.

A—General Floor Cleaning

When machine is used for general purpose floor cleaning on either bare floors or carpeting, the operator should drop arm slightly to allow air to enter front edge of tool on forward stroke. On back stroke, do the reverse of the forward stroke — raise arm slightly to allow the back edge of tool to clear floor. This method gives the air a chance to do the work in the most effective manner.

Make strokes at a leisurely pace and at a length that feels the most natural. Always work away from the machine.

This way the machine will track behind you out of the way and avoid putting a severe strain on the hose at the tube handle end. This is important in prolonging the life of the hose.

B—Wet Pickup

On wet pickup with the squeegee tool, the same method is used as for dry floor or carpet cleaning except that on back stroke the squeegee should overlap onto dry area previously covered. This will prevent leaving any water streaks on floor. Remove filter bag before using for wet pickup.

III MAINTENANCE

1. **Lubrication** — The motor has sealed bearings which require no further lubrication. Casters and wheels should be oiled as required.

2. **Current** — Machine should be run only on voltage specified on name plate. Special voltage motors are available.

3. **Hose** should be removed from machine after each use. The tube handle should be removed from hose. It should then be laid in a loose coil or hung over several pegs on the wall, to remove the strain on it. If hose comes in contact with oil on any operation the neoprene hose should be used. Oil should be wiped off after using.

4. **Filter** — 04-352-9 synthetic cloth dyneel filter will not mildew from moisture, or rot from soot. Shaking lightly by loop provided, before removing from container will clean filter. Requires no brushing as ordinary filters do. Can be left in container when machine is used for wet pickup. Washable.

For fine dust a blue cotton filter 04-354-9 is available. For extra fine dust or powders, a primary paper filter 05-896-1 is available. It is placed in the container and the elastic edge is rolled over the edge of the container. The regular filter and motor head are then put on the container in the normal manner.

5. **Tools** — Floor tools should be removed from the end of the tube handle after using. In cases where the squeegee is used, it should be rinsed off after use.

6. **Regular container** is coated with a finish which is resistant to alkali. However, it is subject to abrasive wear and the container should be inspected regularly. If signs of corrosion appear or a build-up of scum on side of container, clean with a wire brush and coat with bitumastic paint. After each use on wet pickup machine should be emptied and rinsed with clean water. A stainless steel container is recommended for maximum protection against corrosion. Rinse as above.

7. **Float Control** — Mechanical in action. When liquid level reaches float will activate it causing it to rise and shut off suction. It is then time to empty container. Float pan and motor stand should be rinsed and wiped dry after use on wet pickup.

8. WHAT TO DO IN CASE OF LOSS OF SUCTION.

Ordinarily loss of suction is caused by a simply created cause. The following suggestions are listed as a guide.

- a. Check Tool, hose, and tube handle for plugging. If plugged, unplug. Check screen, item 31.
- b. Remove hose from machine and check suction at intake, if still suction loss.
- c. Check lid gasket to see if making proper seal. If worn, replace.
- d. Check filter bag for clogging. If dirty, clean.

9. After 500 hours of running time, check carbon brush wear. When carbon brushes and copper on commutator are worn, remove the motor only and replace. There is no need to send complete machine or complete motor head to a service station or the factory for service.

To remove and replace motor, remove cap nuts, item 24, lift off cover, item 1, disconnect leads from switch. Lift off item 26, and disconnect the ground wire. The entire motor can now be removed.

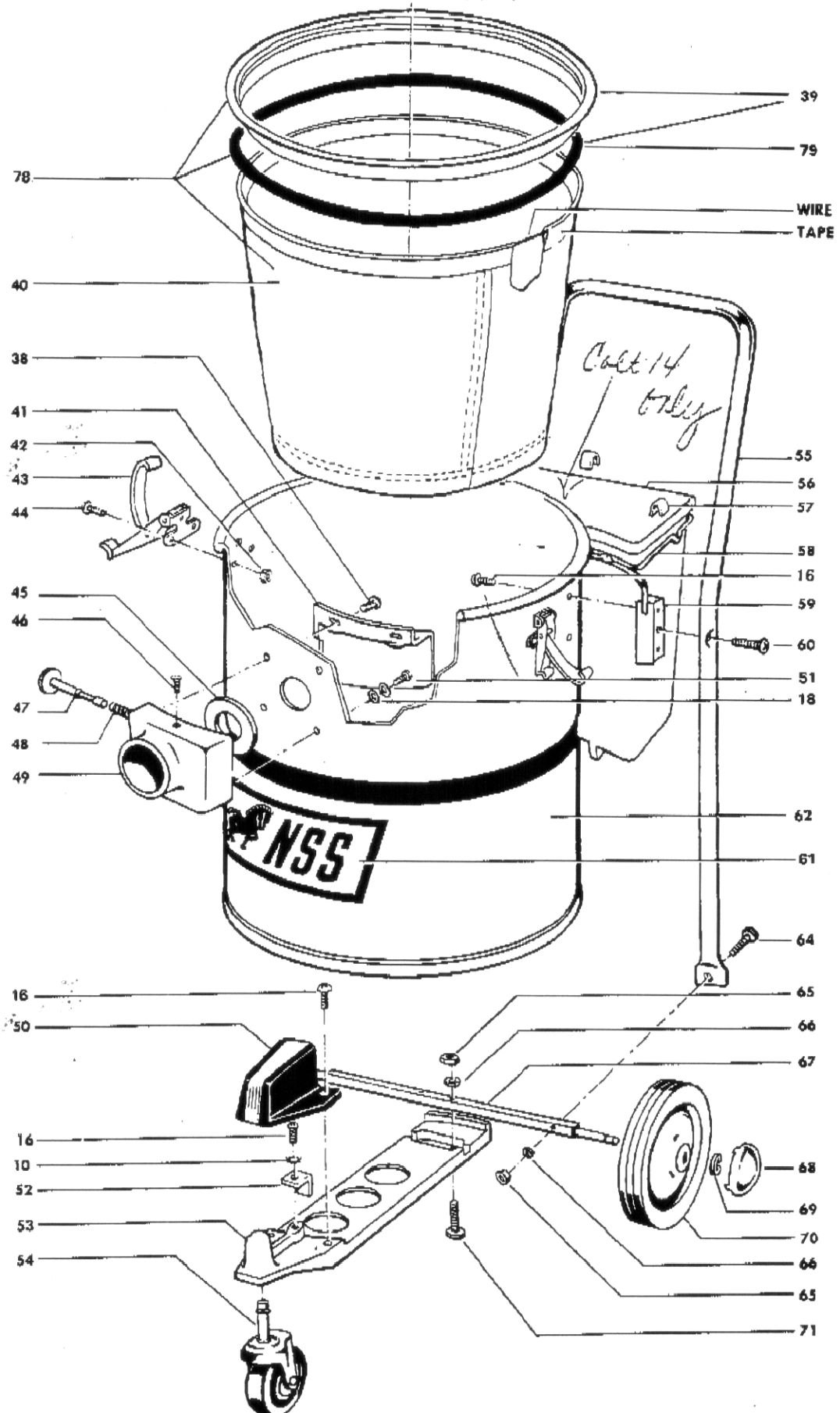
WARNING: DO NOT ATTEMPT MAINTENANCE OR REPAIRS BEFORE DISCONNECTING CORD FROM ELECTRICAL POWER SOURCE.

When ordering parts, use part number and description — not the item number. Include also model and serial number.

WARNING: DO NOT EXPOSE TO RAIN — STORE INDOORS

Printed in U.S.A.

WARNING: DO NOT ATTEMPT MAINTENANCE OR REPAIRS BEFORE DISCONNECTING CORD FROM ELECTRICAL POWER SOURCE.



4

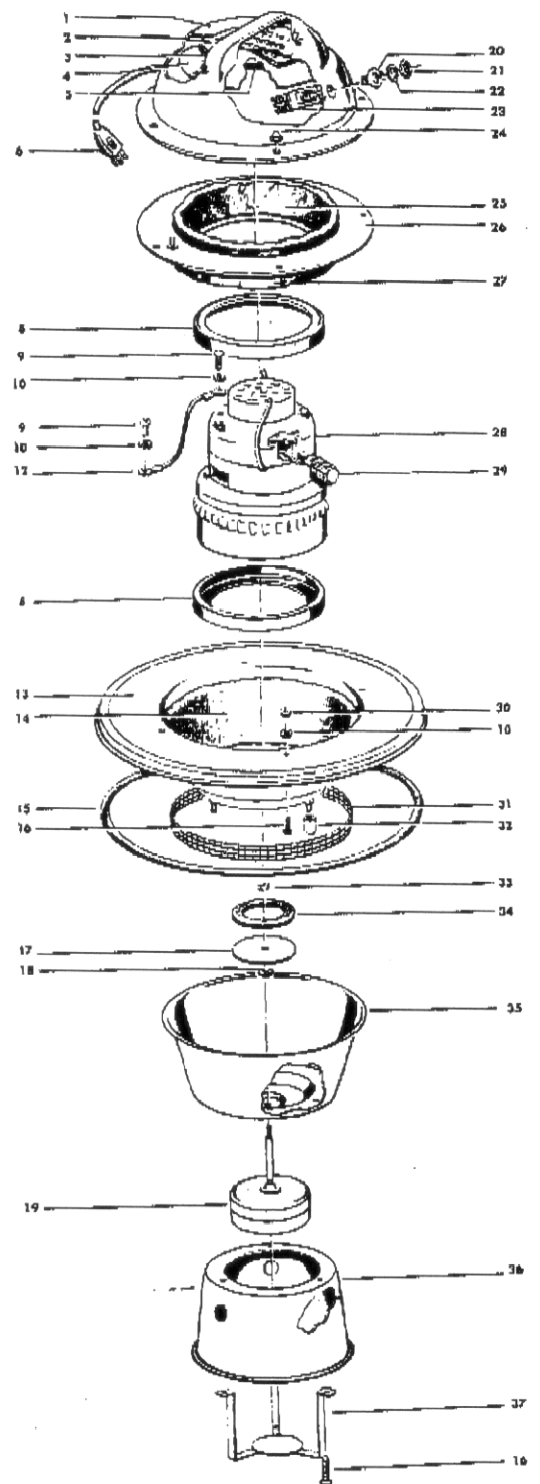
COLT 14 PARTS LIST

Item No.	Part No.	Description
1	02-105-5	Motor cover
	02-104-9	Motor cover w/top air separator
2	04-817-1	Name plate
3	02-226-1	Felt Disc No Longer Req'd.
4	02-109-9	Top air separator w/gasket
5	02-434-1	Top motor seal
6	02-412-1	Cord
	02-438-1	Shuko cord
8	02-433-1	Motor seal gasket
9		8-32x 1/4" pan head screw
10		No. 10 lock washer
12	02-641-1	Ground wire & terminals
13	04-104-9	Colt 14 lid w/gasket & felt
14	02-224-7	Felt — for lid, Colt
15	04-838-7	Colt 14 lid gasket
16		10-24x 1/2" rd. hd. screw
17	02-131-9	Float disc w/gasket, Colt
18	02-123-1	1/2" brass washer
19	02-120-9	Colt 12 & 14 float w/stem
	02-119-9	Colt 12 & 14 float assem. w/disc
20	02-184-1	Indicator plate
21		1/2" x 32 hex nut (part of switch)
22		1/2" lock washer
23	02-451-9	Switch w/screws and nuts
24	02-141-1	10-24 cap nut
25	02-222-7	Felt — inner, air separator
26	02-110-9	Air separator w/felt
27	02-223-7	Felt — outer, air separator
28	02-643-1	Motor & fan assem. 115V
	02-645-1	Motor & fan assem. 230V
29	02-642-1	Carbon brush - for motor 115407 - <i>2 up old</i>
	02-933-1	Carbon brush - for motor 115757 - <i>1 down</i>
30		10-24 hex nut
31	02-089-1	Screen
32	02-097-1	Spacer
33		10-24 hex lock nut
34	25-011-1	Gasket, Cpig. or Float
35	02-101-4	Float pan - Colt
36	02-100-4	Colt 12 & 14 motor stand
37	02-095-6	Float, guard - Colt 12 & 14
38		10-24x 5/8" self tap rd. hd. screw
39	04-350-9	Colt 14 bag ring & gasket <i>n/a</i>
40	04-351-7	Colt 14 bag - white dyne <i>n/a</i>
	04-353-2	Colt 14 bag - blue cloth <i>n/a</i>
41	02-710-1	Intake baille
42		8-32 hex nut
43	02-048-9	Lid clamp
44		8-32x 1/4" rd. hd. screw
45	46-053-1	Intake gasket
46		8-32x 1/2" rd. hd. screw
47	06-838-1	Plunger pin
48	02-926-1	Plunger spring
49	02-708-9	Intake w/pin, spring, & gasket
50	04-823-3	Caster trim
51		10-24x 1/2" self tap screw rd. hd.
52	04-036-6	Angle bracket
53	04-822-2	Colt 14 base
54	02-049-1	3" Caster
55	04-820-1	Transfer handle
56	04-827-1	Basket
57	04-832-6	Basket clip
58	04-831-1	Basket frame
59	04-825-2	Handle bracket
60		1/4-20x 1-1/4" oval head screw
61	02-217-1	NSS decal
62	04-824-3	Colt 14 enamel can only
	04-826-3	Colt 14 stainless can only
64		1/4-20x 1" hex bolt
65		1/4-20 hex nut
66		1/4" lock washer
67	04-821-6	Colt 14 base axle
68	04-047-1	Hub cap
69	04-099-1	Snap ring
70	04-058-1	6" wheel
71		1/4-20x 1-1/4" hex bolt
79	04-355-1	Colt 14 bag ring gasket

ASSEMBLIES

82	04-828-9	Colt 14 enamel can w/intake & clamps
	04-829-9	Colt 14 stainless can w/intake & clamps
78		Items 39, 40 & 79 assembled
	04-352-8	C-14 Filter assem. - white dyne <i>n/a</i>
	04-354-8	C-14 Filter assem. - blue cloth <i>n/a</i>

CO-6371
dump valve



*All motors furnished for Colts are entirely interchangeable. The carbon brushes are different. Check motor marking for certainty. If motor is stamped 115407, use 02-642-1. If motor is stamped 115757 or 6336-00, use 02-933-1.